

**Important Safety Instructions**

- Read these Instructions.
- Keep these Instructions.
- Heed all Warnings.
- Follow all instructions.
- Do not use this apparatus near water.
- Clean only with a dry cloth.
- Do not block any ventilation openings. Install in accordance with the manufacturer's instructions.
- Do not install near any heat sources such as radiators, heat registers, stoves, or other apparatus (including amplifiers) that produce heat.
- Do not defeat the safety purpose of the polarized or grounding - type plug. A polarized plug has two blades with one wider than the other. A grounding type plug has two blades and a third grounding prong. The wide blade or the third prong are provided for your safety. When the provided plug does not fit into your outlet, consult an electrician for replacement of the obsolete outlet.
- Protect the power cord from being walked on or pinched particularly at plugs, convenience receptacles, and the point where they exit from the apparatus.
- Only use attachments/accessories specified by the manufacturer.
- Unplug this apparatus during lightning storms or when unused for long periods of time.
- Refer all servicing to qualified service personnel. Servicing is required when the apparatus has been damaged in any way, such as power-supply cord or plug is damaged, liquid has been spilled or objects have fallen into the apparatus, the apparatus has been exposed to rain or moisture, does not operate normally, or has been dropped.
- Use only with a cart, stand, tripod, bracket, or table specified by the manufacturer, or sold with the apparatus. When a cart is used, use caution when moving the cart/apparatus combination to avoid injury from tip-over.



**FCC Warnings**

Warning: Changes or modifications to this unit not expressly approved by the party responsible for compliance could void the user's authority to operate the equipment.

NOTE: This equipment has been tested and found to comply with the limits for a Class B digital device, pursuant to Part 15 of the FCC Rules. These limits are designed to provide reasonable protection against harmful interference in a residential installation. This equipment generates, uses, and can radiate radio frequency energy and, if not installed and used in accordance with the instructions, may cause harmful interference to radio communications. However, there is no guarantee that interference will not occur in a particular installation. If this equipment does cause harmful interference to radio or television reception, which can be determined by turning the equipment off and on, the user is encouraged to try to correct the interference by one or more of the following measures:

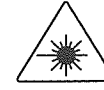
- Reorient or relocate the receiving antenna.
- Increase the separation between the equipment and receiver.
- Connect the equipment into an outlet on a circuit different from that to which the receiver is connected.
- Consult the dealer or an experienced radio/TV technician for help.

**Additional Warnings and Precautions**

- **CAUTION: TO PREVENT ELECTRIC SHOCK, MATCH WIDE BLADE OF PLUG TO WIDE SLOT, FULLY INSERT.**
- Mains plug is used as disconnect device and it should remain readily operable during intended use. In order to disconnect the apparatus from the mains completely, the mains plug should be disconnected from the mains socket outlet completely.
- **WARNING:** To reduce the risk of fire or electric shock, do not expose this apparatus to rain, moisture, dripping, or splashing.
- **CAUTION:** Use of controls or adjustments or performance of procedures other than those specified may result in hazardous radiation exposure.
- **WARNING:** Changes or modifications to this unit not expressly approved by the party responsible for compliance could void the user's authority to operate the equipment.
- **WARNING:** Do not place this unit directly onto furniture surfaces with any type of soft, porous, or sensitive finish. As with any rubber compound made with oils, the feet could cause marks or staining where the feet reside. We recommend using a protective barrier such as a cloth or a piece of glass between the unit and the surface to reduce the risk of damage and/or staining.
- **WARNING:** Use of this unit near fluorescent lighting may cause interference regarding use of the remote. If the unit is displaying erratic behavior move away from any fluorescent lighting, as it may be the cause.
- **WARNING:** Shock hazard - Do Not Open.
- Caution and marking information is located at the rear or bottom of the apparatus.
- Objects filled with liquids, such as vases, shall not be placed on the apparatus.
- Keep new and used batteries away from children. If the battery compartment does not close securely, stop using the product and keep it away from children.
- If you think batteries might have been swallowed or placed inside any part of the body, seek immediate medical attention.
- **CAUTION:** Danger of explosion if battery is incorrectly replaced. Replace only with the same or equivalent type.
- **WARNING:** There is a danger of explosion if you attempt to charge standard Alkaline batteries in the unit. Only use rechargeable NiMH batteries.
- Battery shall not be exposed to excessive heat such as sunshine, fire, or the like.
- Do not mix old and new batteries.
- Completely replace all old batteries with new ones.
- Do not mix alkaline, standard (carbon-zinc), or rechargeable (ni-cad, ni-mh, etc) batteries.
- Batteries should be recycled or disposed of as per state and local guidelines.
- This product meets and complies with all Federal regulations.



**WARNING :** This product can expose you to chemicals including lead, which is known to the State of California to cause cancer and birth defects or other reproductive harm. For more information go to [www.P65Warnings.ca.gov](http://www.P65Warnings.ca.gov).



This product utilizes a Class 1 laser to read Compact Discs. This Laser Compact Disc Player is equipped with safety switches to avoid exposure when the CD door is open and the safety interlocks are defeated. Invisible laser radiation is present when the CD Player's lid is open and the system's interlock has failed or been defeated. It is very important that you avoid direct exposure to the laser beam at all times. Please do not attempt to defeat or bypass the safety switches.



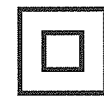
Warning: To reduce the risk of electric shock, do not remove cover (or back). No user-serviceable parts inside. Refer servicing to qualified service personnel.



The exclamation point within an equilateral triangle is intended to alert the user to the presence of important operating and maintenance (servicing) instructions in the literature accompanying the appliance.



The lightning flash with arrowhead symbol, within an equilateral triangle, is intended to alert the user to the presence of uninsulated "dangerous voltage" within the product's enclosure that may be of sufficient magnitude to constitute a risk of electric shock to persons.

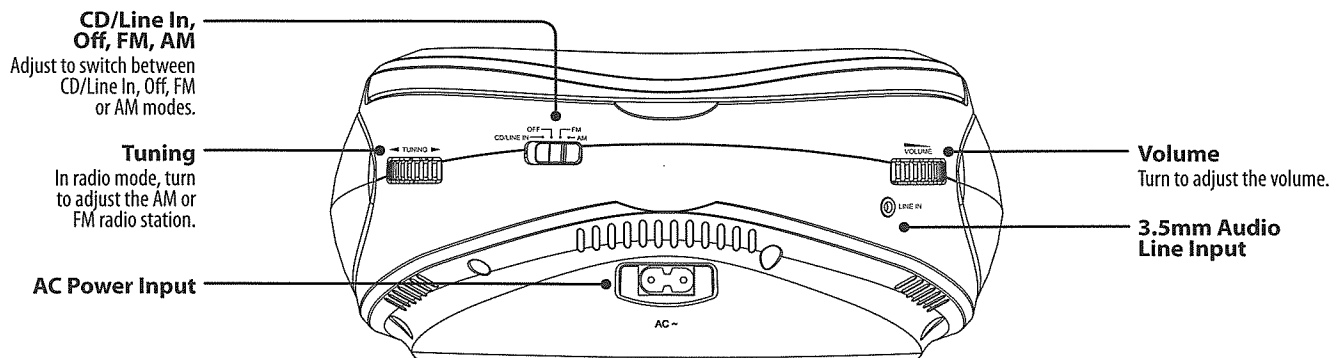
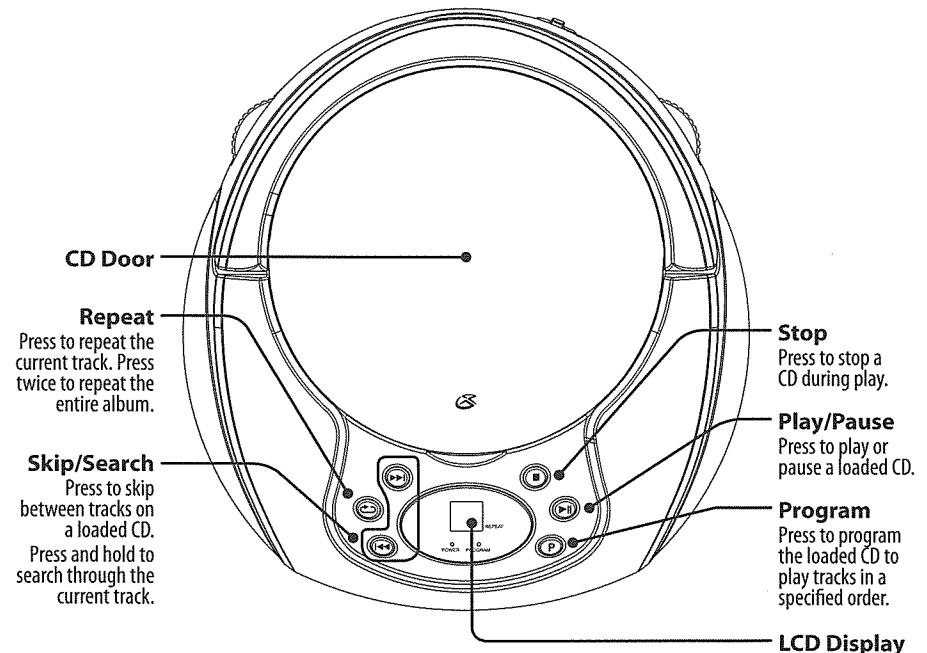


This symbol indicates that this product incorporates double insulation between hazardous mains voltage and user accessible parts.

**WARNING: DO NOT INGEST BATTERY, CHEMICAL BURN HAZARD.**

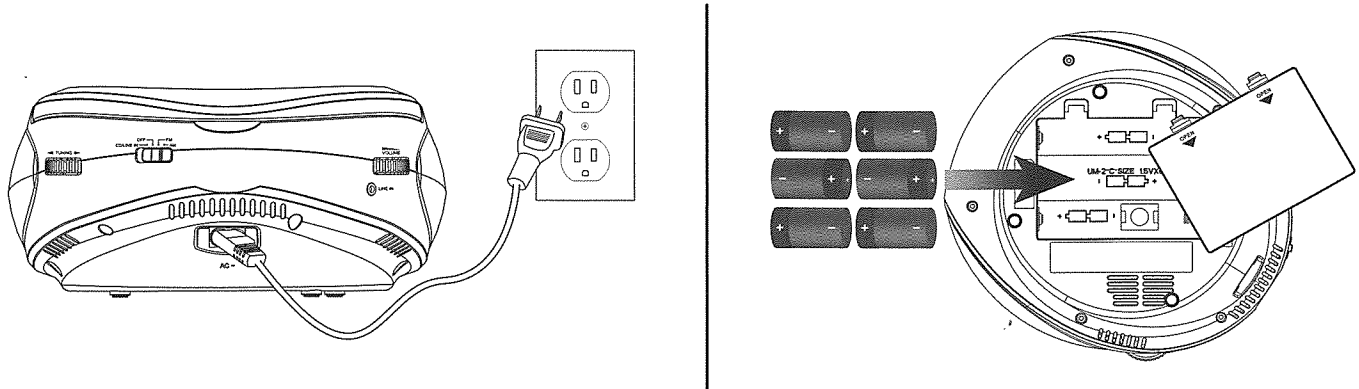
**FEATURES AND CONTROLS**

- CD player: CD, CD-R/RW
- AM/FM radio (direct tuning)
- Top-load disc player
- 3.5mm audio input
- Built-in AM/FM antenna
- 2 digit red LED display
- Analog volume control
- AC power input: requires an AC power cable (included)
- DC battery power: requires 6 C batteries (not included)
- Battery life: ~8 hours of audio



## POWER & BATTERY

To power the unit, plug the power cord (included) into the AC Power Input on the back of the unit and a standard AC power outlet. For battery power, this unit requires 6 C-size, batteries (not included).



## CD

### Loading and Playing a CD

Note: This unit is not compatible with MP3 CDs.

1. Open the CD door and place a CD in the boombox, label side facing up.
2. Close the CD door.
3. Adjust the **Source Switch** to CD mode.
4. Press the **Play/Pause** button to begin playing the loaded disc.

### Programming a CD

1. Press the **Stop** button to stop a loaded CD.
2. Press the **Program** button. "01" will blink on the display.
3. Press the **Skip/Search** buttons to select a track.
4. Press the **Program** button to add the selected track to the program.
5. Repeat steps 3 and 4 to program up to 20 tracks to play in a specified order.
6. Press the **Stop** button to cancel a program.

## RADIO

### Radio Reception

An AM and FM antenna is built into the radio. To improve radio reception, adjust the position of the boombox.

### Playing the Radio

1. Slide the **Source Switch** switch to AM or FM radio mode.
2. Adjust the **Tuning** dial to tune the radio.

## 3.5 MM AUDIO INPUT

### Using the Line In

3.5 mm audio input cable not included.

1. Plug one end of a 3.5 mm audio input cable into the **Line In** input on the back of the unit, and plug the other end of the cable into the audio output on an MP3 Player or other audio source.
2. Press the **Power** button to power the unit on.
3. Slide the **Source Switch** on the front of the unit to **Line In**.
4. Audio played through the connected device will now be heard through the speakers.

## International Support

To download this User's Guide in English, Spanish, or French, or to get answers to frequently asked questions, visit the support section at: [www.gpx.com](http://www.gpx.com)

Para descargar este Manual del Usuario en inglés, español y francés, o para obtener respuestas a preguntas frecuentes, visite la sección de apoyo en: [www.gpx.com](http://www.gpx.com)

Pour télécharger ce guide de l'utilisateur en anglais, espagnol ou français, ou pour obtenir des réponses à des questions fréquemment posées, consultez la rubrique d'assistance sur: [www.gpx.com](http://www.gpx.com)

For Warranty Information and the most up-to-date version of this User's Guide, go to [www.gpx.com](http://www.gpx.com)

Customer Service: 1-888-999-4215 | Email Support: [prodinfo@dpiinc.com](mailto:prodinfo@dpiinc.com) | Email Parts: [partsinfo@dpiinc.com](mailto:partsinfo@dpiinc.com)

Copyright © 2016 Digital Products International (DPI, Inc.) All other trademarks appearing herein are the property of their respective owners. Specifications are subject to change without notice.



Protect for Today  
Sustain for Tomorrow